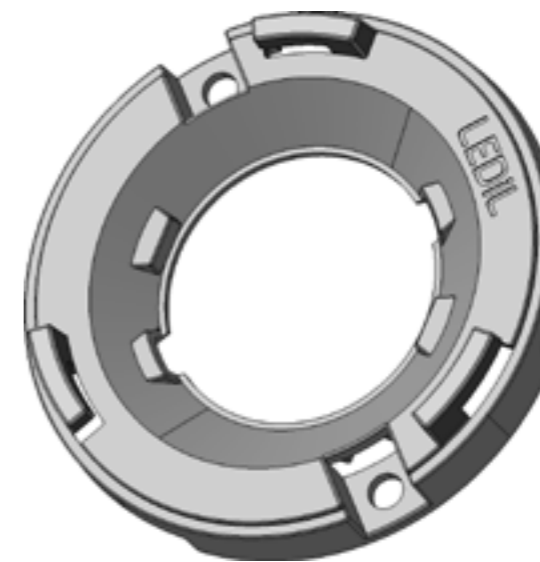
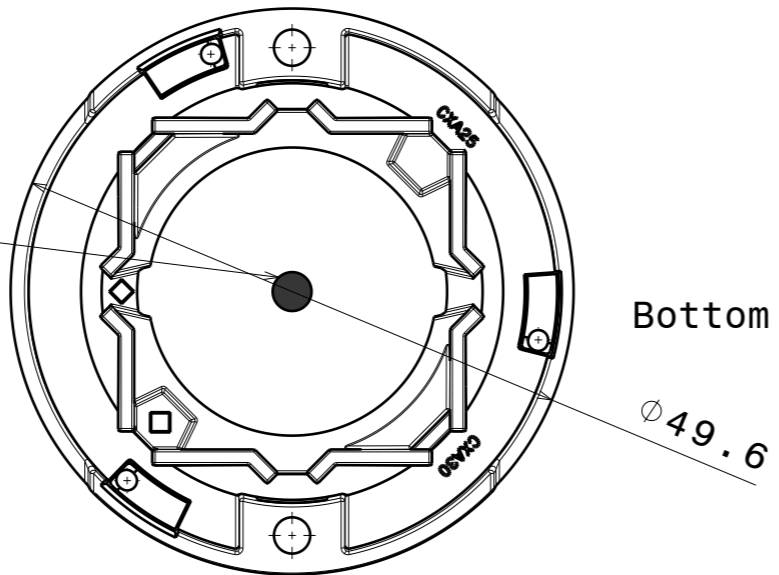


H G F E D C B A

4

4

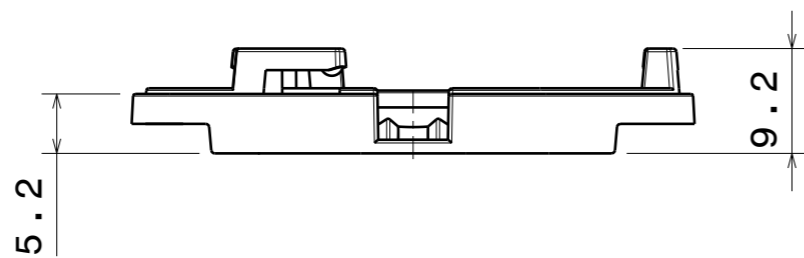
Led middle position
CXA25 and CXA30



3

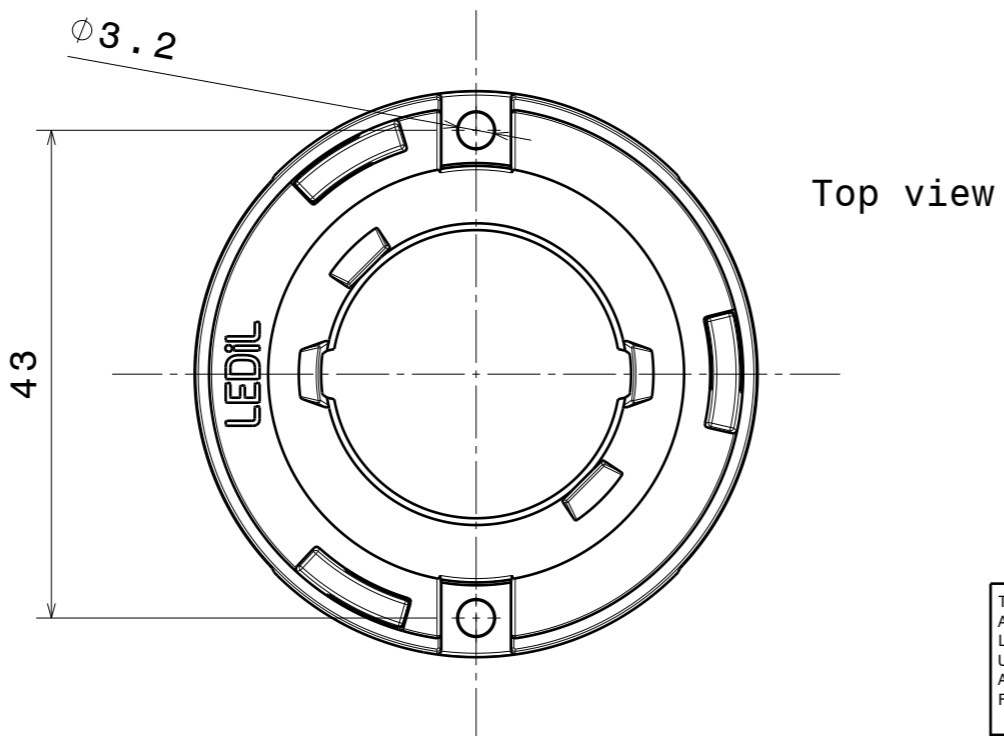
3

Front view



2

2



1

1

INDEX	PART NO	DESCRIPTION	MATERIAL	COLOUR
1	C14036	CLAMP-CXA25-30	PC	White

Tolerances if not otherwise shown
According to DIN ISO 2768-1
Linear measures:
Up to 30mm class M, otherwise class C.
According to DIN ISO 2768-2
Form and position: class L

LEDiL LediL Oy
Salorankatu 10
FIN 24240 SALO
Finland

THIRD ANGLE PROJECTION:

DRAWING TITLE
MechanicalDrawing_CLAMP-CXA25-30

This drawing is the property
of LEDiL Oy. It may not be
reproduced, copied or
communicated without a written
agreement with LEDiL Oy."

SIZE	PART NUMBER
A3	C14036

SCALE	3:2	WEIGHT	(g)	SHEET	1/1
-------	-----	--------	-----	-------	-----

H G B A